



KING
COBRA™
PERISTALTIC HOSE PUMPS

WILDEN®

A DOVER COMPANY

WHY DO YOU NEED A HOSE PUMP?



The King Cobra™ Series peristaltic pumps are rugged industrial self-priming hose pumps that can handle your toughest fluid transfer needs, from abrasive and aggressive fluids to sheer sensitive, viscous and particle-laden materials. The King Cobra™ pump has excellent volumetric capacity which makes this pump well suited for dosing applications.

The simple seal-free design is run-dry capable, reliable and eliminates any potential leak points. This pump is easy to operate, inexpensive to maintain and provides up to 9m (29.5 ft.) of dry suction lift. The heavy duty ductile iron and stainless steel construction allow discharge pressures up to 15 bar (217 psig) which makes this pump ideal for ceramic industry or any other application requiring higher discharge pressures.

APPLICATIONS

- Agriculture
- Automotive
- Chemical
- Industrial and municipal water treatment
- Paints & coatings
- Ceramics
- Mining
- Filter press equipment
- Nuclear
- Slurry
- Textiles
- Pulp & paper

FEATURES & BENEFITS

- Can be used for such pumped products as:
 - *Viscous and abrasive fluids*
 - *Corrosive chemicals*
 - *Sheer sensitive materials*
- Seal-less construction
- Simple and inexpensive maintenance
- Reversible pump
- Continuous dry running capable
- Appropriate for abrasive products
- Excellent volumetric capacity (dosing)
- Self priming
- Suction lift up to 9 m (29.5 ft.) of water
- Particles up to 15-25% of hose diameter

KC10A
10 mm or 0.63"
33 kg (73 lbs)

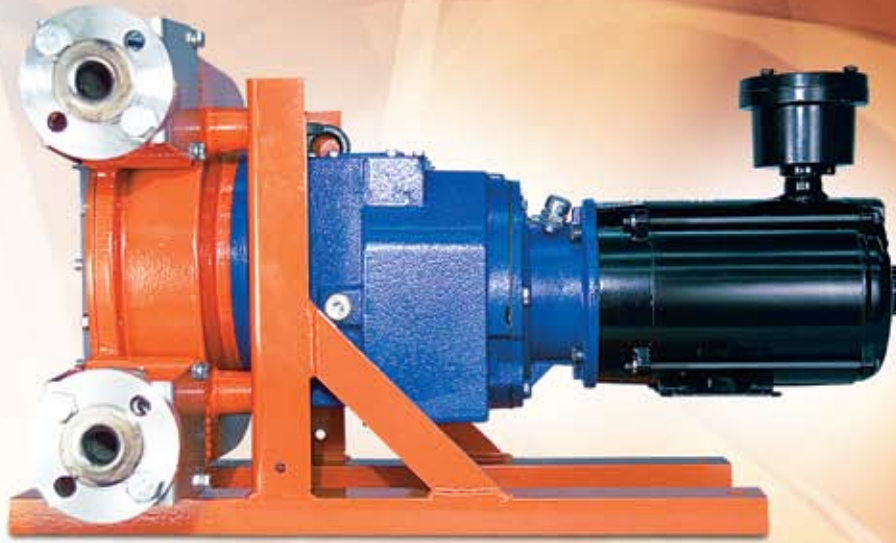
KC20A
25 mm or 0.98"
33 kg (73 lbs)

KC25A
DN25 or 1"
105 kg (231 lbs)

KC40A
DN40 or 1-1/2"
140 kg (309 lbs)

KCX40A
DN40 or 1-1/2"
200 kg (441 lbs)

PUMP PERFORMANCE



For optimal life and performance, the appropriate model King Cobra™ peristaltic pump should be selected so that your daily operational parameters fall within those listed below. For more information

on selecting a pump that meets your overall performance needs contact an authorized Wilden Distributor in your area.

MODEL	Max. Flow Rate (continuous duty) m ³ /h (gpm)	Max. Flow Rate (intermittent duty) m ³ /h (gpm)	Max. Viscosity at 10 RPM	Connection Size		Connection Type
				ANSI & Barbed	DIN/ISO PN16	
KC10A	0.10 (0.44)	0.13 (57)	12000	(0.63")	10 mm	Barbed Hose
KC20A	0.58 (2.55)	0.75 (3.30)	25000	(0.98")	25 mm	Barbed Hose
KC25A	1.66 (7.31)	2.66 (11.71)	20000	(1")	DN25	Flanged
KC40A	4.65 (20.47)	7.23 (31.83)	25000	(1-1/2")	DN40	Flanged
KCX40A	6.40 (28.18)	9.60 (42.47)	20000	(1-1/2")	DN40	Flanged
KC65A	12.10 (53.27)	18.20 (80.13)	40000	(2-1/2")	DN65	Flanged
KCX80A	21 (93)	37 (164)	49000	(3")	DN80	Flanged
KC80A	26 (114)	39 (171)	28200	(3")	DN80	Flanged
KC100A	36 (158)	54 (237)	31200	(4")	DN100	Flanged

NOTE: Flow rate is indicated in cubic meters per hour (m³/h) and gallons per minute (gpm). Maximum compressible solids passage is no greater than 25% of the inside diameter of the hose. Maximum non-compressible solids passage is no greater than 15% of the inside diameter of the hose.

Intermittent Duty: Pump is running less than 2 hours and stopped more than 1 hour.

Continuous Duty: Pump is running more than 2 hours or is stopped less than 1 hour.

KC65A
DN65 or 2-1/2"
318 kg (701 lbs)

KCX80A
DN80 or 3"
500 kg (1102 lbs)

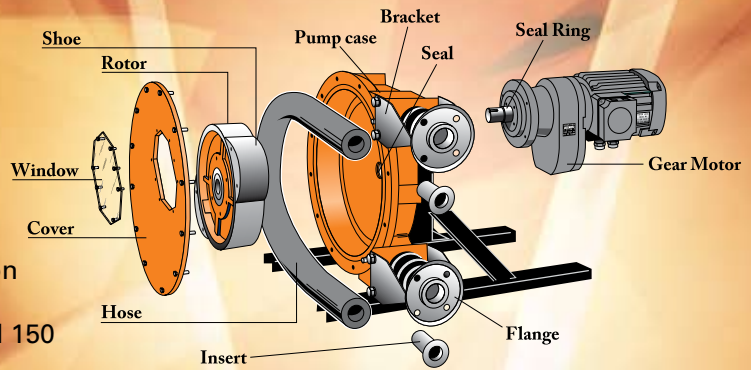
KC80A
DN80 or 3"
930 kg (2050 lbs)

KC100A
DN100 or 4"
1150 kg (2535 lbs)

MATERIALS OF CONSTRUCTION:

Non-wetted Components

Pump Case:	Ductile Iron
Rotor:	Ductile Iron
Shoes:	Aluminum or Cast Iron
Cover:	Steel and Plexiglass
Flange and Brackets:	Stainless steel – ANSI 150 or PN16 (DIN)



Wetted Components

Hoses:	Natural rubber (N), Buna-N (B) or EPDM (E)
Hose Inserts:	Stainless Steel (standard), Polypropylene or PVDF

The following hoses are available for use in the King Cobra™ Series pumps.

- Natural rubber: ... Highly resilient with excellent abrasion resistance and strength.
- Buna-N: ... Highly wear resistant to oily products.
- EPDM: ... High chemical resistance, especially with concentrated acids, alcohols and ketones.

PRODUCT CONFIGURATIONS OPTIONS

- Integral gear motor.
- Reducer installed with 3 phase motor (TEFC or EFTF).
- Reducer only, no motor.
- Reducer installed with 3 phase motor (XP or ATEX).
- Reducer installed with 1 phase motor (TEFC or EFTF).
- Pump only, no reducer. Ships with shims, wheel, hose, inserts and lubricant uninstalled.

NOTE: King Cobra™ pumps are designed to accept IEC and C-face motors. Motor powers are available from 0.37kW to 22kW or 1/3HP to 30HP.

PRODUCT OPTIONS:

- Leak detector
- Vacuum kit



WILDEN®
A DOVER COMPANY

22069 Van Buren Street, Grand Terrace, CA 92313-5607
Telephone 909-422-1730 • Fax 909-783-3440
www.wildenpump.com

Your Distributor: