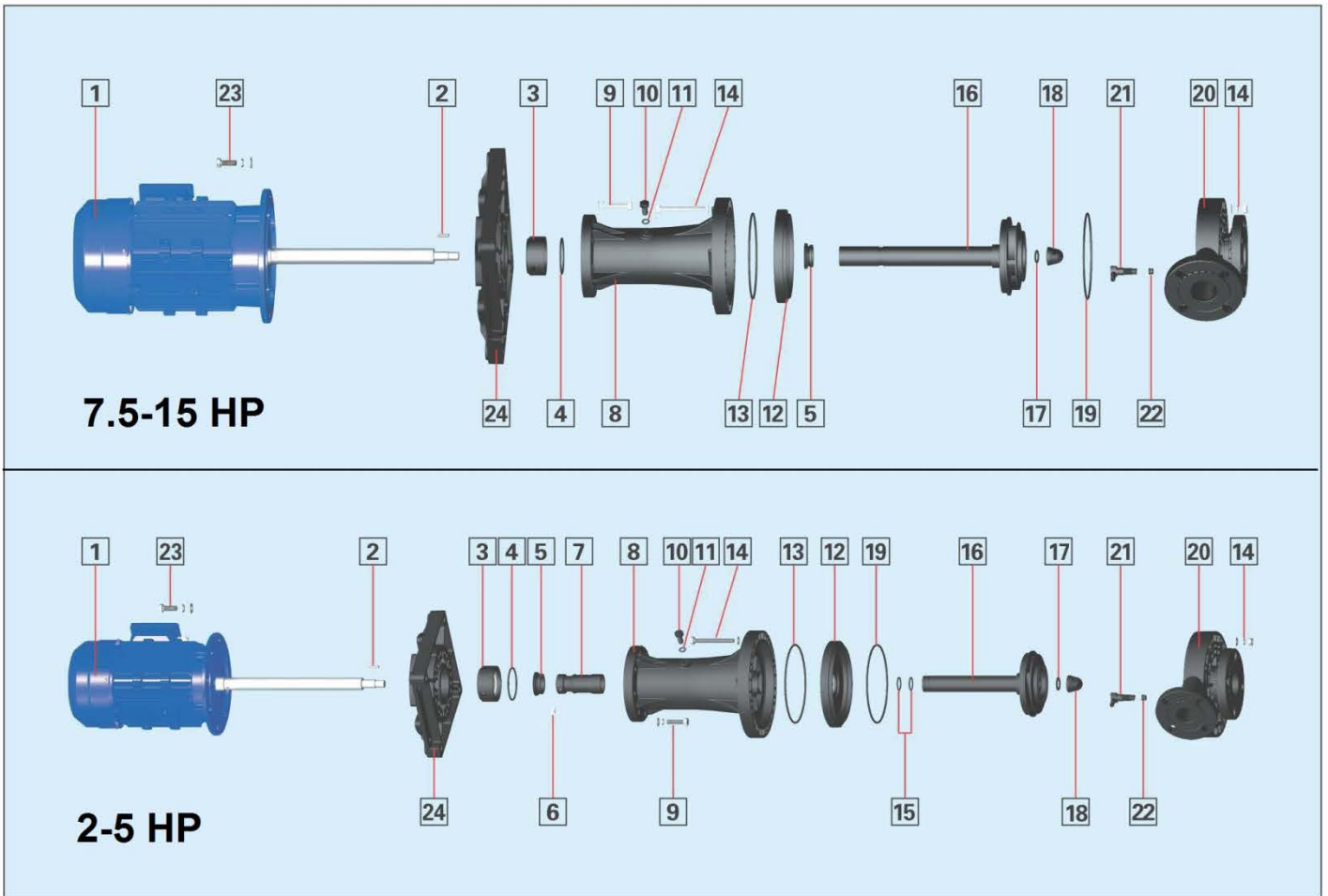


MATERIAL



NO.	Description	Material	NO.	Description	Material
1	Motor		13	Back cover O-ring	NBR/EPDM/VITON
2	Shaft key	SUS	14	Front cover screw	SUS/PVC/Ti
3	Seal ceramic	FRPP/CFRPP/CPVC/PVDF/CERAMIC	15	Impeller O-ring	NBR/EPDM/VITON
4	Vapor seal O-ring	NBR/EPDM/VITON	16	Impeller	FRPP/CFRPP/CPVC/PVDF
5	Vapor seal	NBR/EPDM/VITON	17	Impeller nut O-ring	NBR/EPDM/VITON
6	Shaft sleeve screw	SUS	18	Impeller nut	FRPP/CFRPP/CPVC/PVDF
7	Shaft sleeve	FRPP/CFRPP/CPVC/PVDF	19	Front cover O-ring	NBR/EPDM/VITON
8	Main body	FRPP/CFRPP/CPVC/PVDF	20	Front cover	FRPP/CFRPP/CPVC/PVDF
9	Main body screw cap	SUS/Ti	21	Air release valve	FRPP/CFRPP/CPVC/PVDF
10	Release screw	PVC	22	Air release valve packing	NBR/EPDM/VITON
11	Release screw O-ring	EPDM/VITON	23	Motor screw	SUS
12	Back cover	FRPP/CFRPP/CPVC/PVDF	24	Motor spacer	FRPP